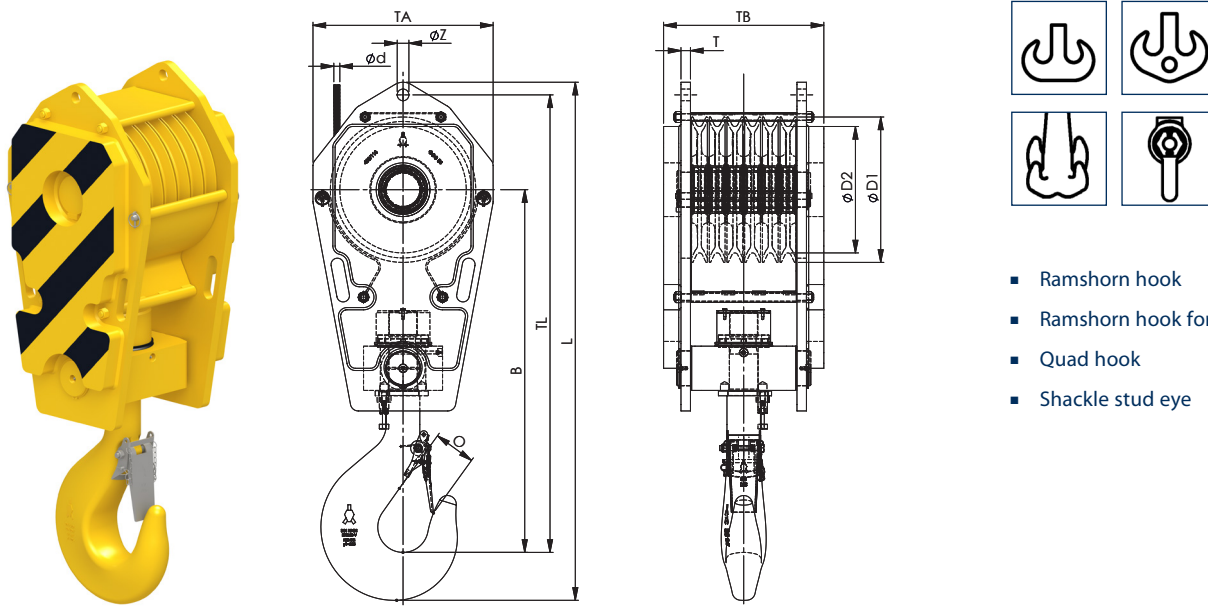


FAST REEVE CRANE BLOCKS

6 SHEAVES



- Ramshorn hook
- Ramshorn hook form B
- Quad hook
- Shackle stud eye

Model Nr.	WLL (Mtons)	For wire ød (mm)	Hook size	Dimensions (mm)										Weight (kg)
				øD1	øD2	B	O	TA	TB	TL	L	T	øZ	
FRB 360.19.6.63.E.A	63	19	16	420	360	973	97	510	522	1243	-	30	37	680
FRB 360.19.6.63.E.B	63	19	16	420	360	973	97	510	522	1243	-	30	37	725
FRB 400.19.6.63.E	63	19	16	460	400	1063	97	570	507	1363	-	30	37	775
FRB 400.19.6.80.E	80	19	20	460	400	1147	110	570	507	1447	1597	30	43	820
FRB 400.22.6.80.E	80	22	20	460	400	1147	110	570	507	1447	1597	40	43	820
FRB 450.22.6.80.E	80	22	20	515	450	1187	110	600	502	1580	1730	40	43	910
FRB 450.24.6.80.E	80	24	20	515	450	1187	110	600	502	1580	1730	45	52	910
FRB 450.24.6.100.E	100	24	25	515	450	1263	132	600	582	1598	1768	45	52	1135
FRB 450.26.6.100.E	100	26	25	515	450	1263	132	600	582	1598	1768	45	52	1135
FRB 528.24.6.150.E	150	24	40	596	528	1553	167	710	642	2020	2232	45	52	1800
FRB 528.26.6.150.E	150	26	40	596	528	1553	167	710	642	2020	2232	45	52	1800
FRB 528.28.6.150.E	150	28	40	596	528	1553	167	710	642	2030	2242	50	59	1800
FRB 528.26.6.160.E	160	26	40	596	528	1581	167	710	682	1966	2178	45	52	2270
FRB 528.28.6.160.E	160	28	40	596	528	1581	167	710	682	1976	2188	50	59	2270
FRB 575.28.6.200.E	200	28	50	650	575	1661	188	770	602	2081	2317	50	59	2270
FRB 670.28.6.235.E	235	28	50	760	670	1716	188	870	952	2206	2442	50	59	4160
FRB 670.32.6.235.E	235	32	50	760	670	1716	188	870	952	2206	2442	60	66	4160

Minimum Ultimate Strength = 4 x WLL

- The dimensions in this table are indicative only. A drawing will always be submitted prior to production and will be the leading document when discussing dimensions.
- Blocks shown here are standard models; inquiries for custom versions are welcome.
- Refer to wire rope manufacturers D/d ratio guideline.
- Optional: Hook locking pin.



SEE OUR WARNING & SAFETY INFORMATION